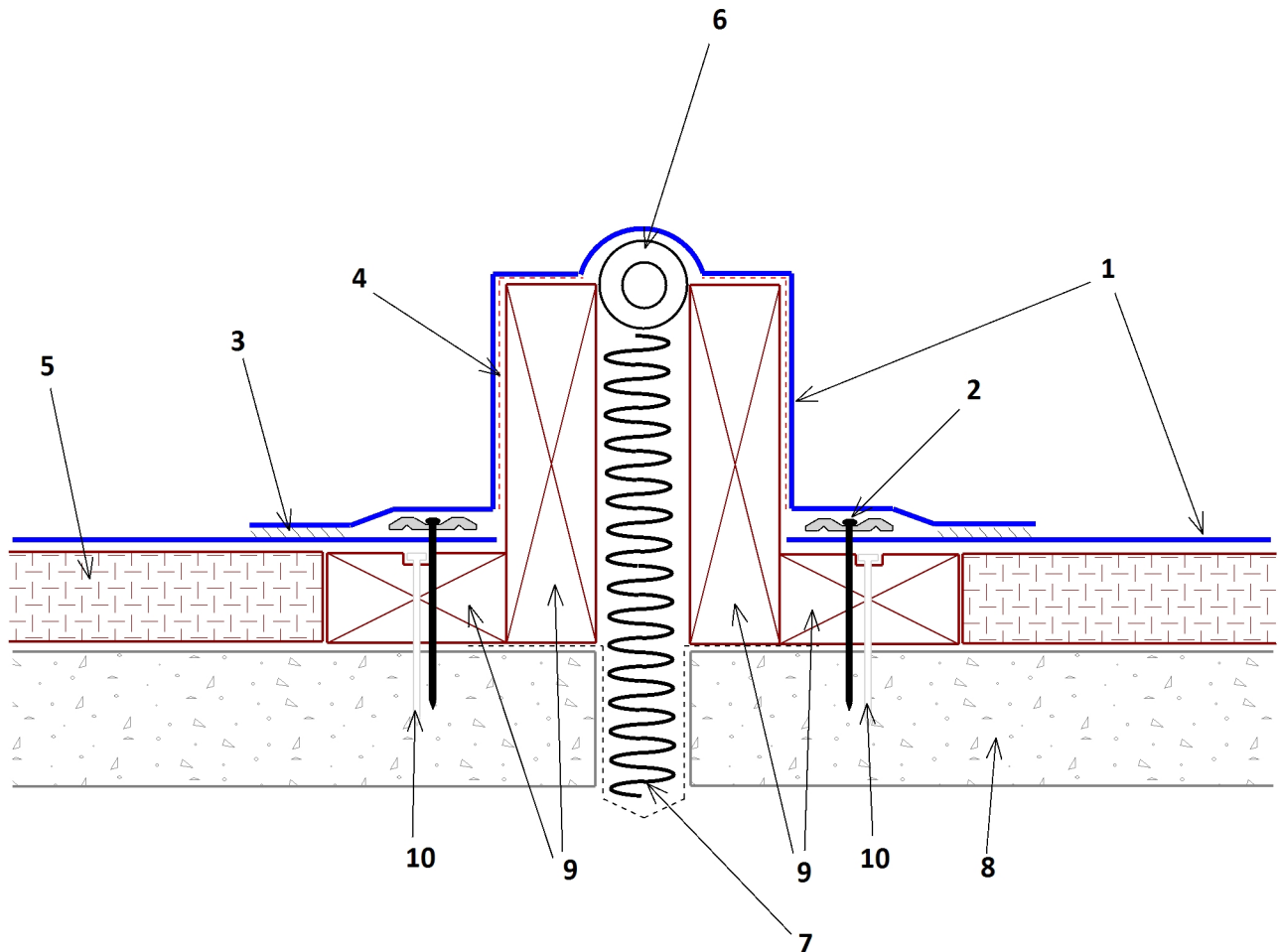



1. Goliath PVC Membrane
2. Fastener & Barbed Plate
3. Hot-Air Weld
4. Solvent Based Adhesive
5. Rigid Thermal Insulation
6. Foam Rod
7. Semi-Rigid Insulation
8. Structural Deck
9. Wood Blocking
10. Mechanical Fasteners



	<p>Title:</p> <p style="text-align: center;">Roof To Roof Expansion Joint</p>	<p>Drawing No.:</p> <p style="text-align: center;">MF - 9.1</p>	<p>Issue Date:</p> <p style="text-align: center;">Sept 2025</p>
<p>CGT does not assume any responsibility for errors in design, engineering, quantities or dimensions. The designer is responsible to verify the suitability of all details for all specific installations. All detail drawings are to be read in conjunction with the published CGT specification manual and are to be considered for general reference only.</p>			