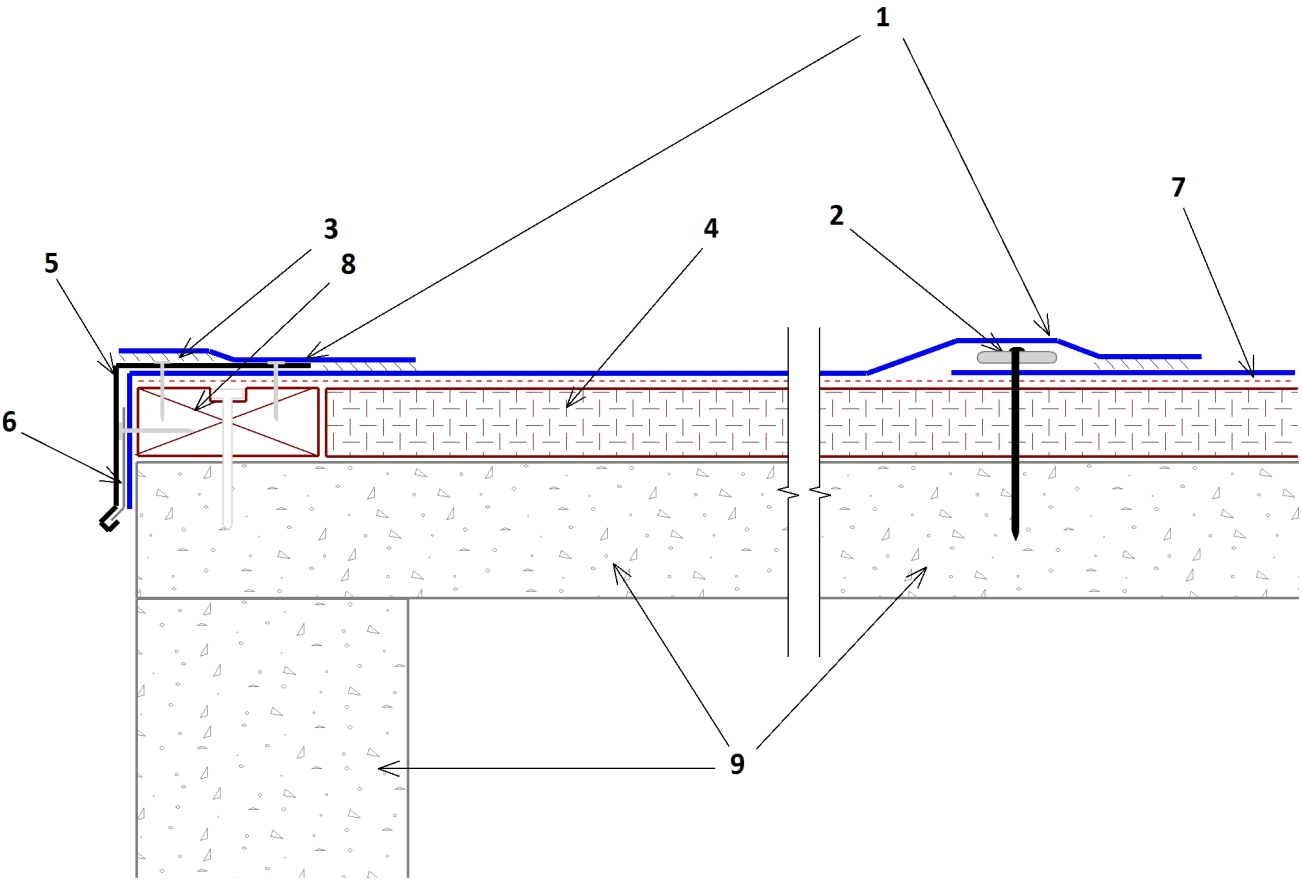



- 1. Goliath PVC Membrane
- 2. Fastener & Aluminum Bar  
(Transition b/w Perimeter & Field Zones)
- 3. Hot-Air Weld
- 4. Rigid Thermal Insulation
- 5. Tower PVC/CPA Metal Clad Flashing  
Fastened 4" O.C. Staggered
- 6. Metal Starter Strip
- 7. Solvent or Water Based Adhesive
- 8. Wood Blocking
- 9. Structural Decking



	Title: <b>Zero Edge</b>	Drawing No.: <b>FA - 1.2</b>	Issue Date: <b>Sept 2025</b>
	CGT does not assume any responsibility for errors in design, engineering, quantities or dimensions. The designer is responsible to verify the suitability of all details for all specific installations. All detail drawings are to be read in conjunction with the published CGT specification manual and are to be considered for general reference only.		