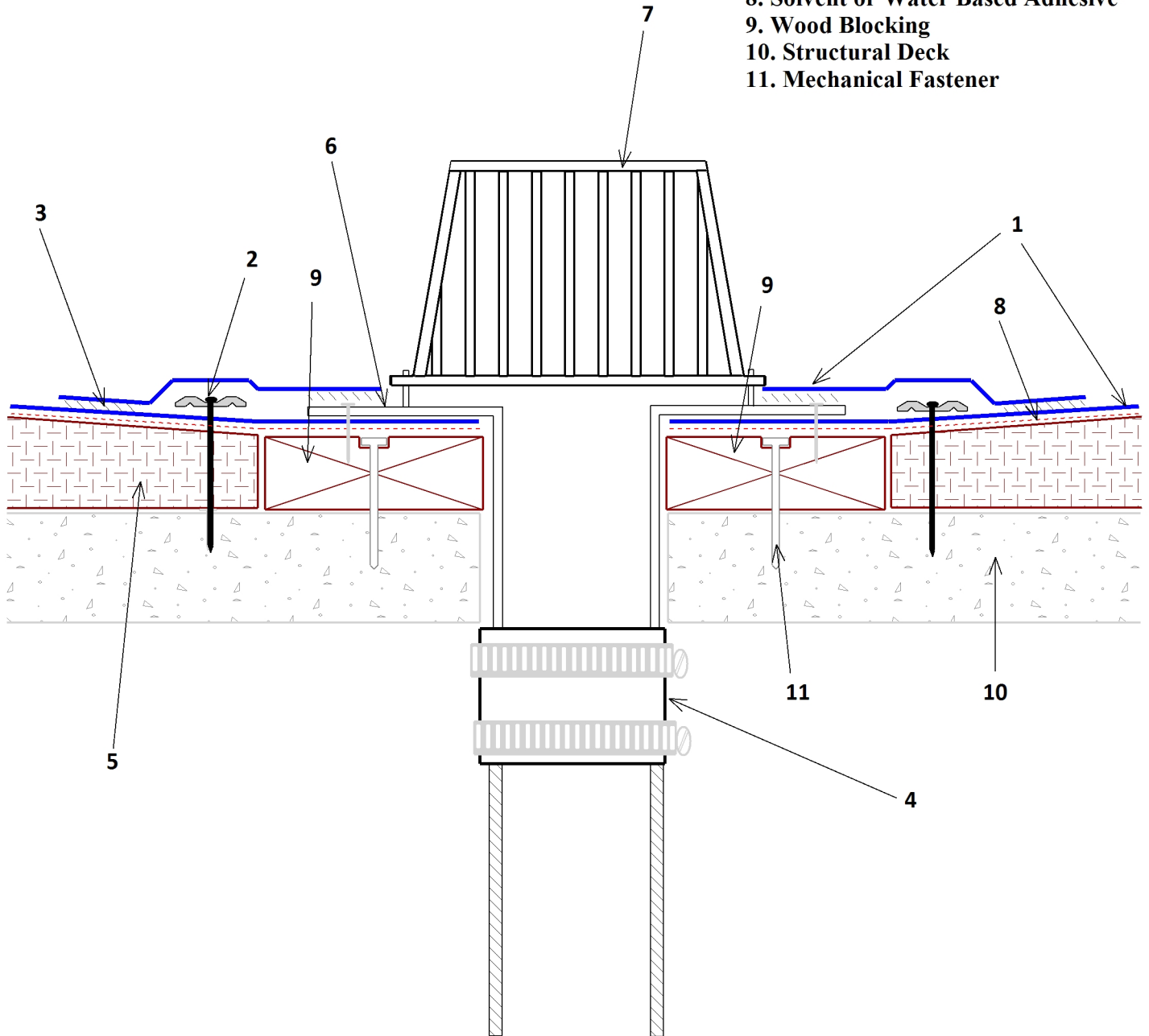



1. Goliath PVC Membrane
2. Fastener & Barbed Plate
3. Hot-Air Weld
4. Mechanical Coupler
5. Tapered Rigid Thermal Insulation (Drain Sump)
6. PVC Coated Drain
7. Strainer
8. Solvent or Water Based Adhesive
9. Wood Blocking
10. Structural Deck
11. Mechanical Fastener



	<p>Title:</p> <p>PVC Coated Drain</p>	<p>Drawing No.:</p> <p>FA - 7.1</p>	<p>Issue Date:</p> <p>Oct 2025</p>
<p>CGT does not assume any responsibility for errors in design, engineering, quantities or dimensions. The designer is responsible to verify the suitability of all details for all specific installations. All detail drawings are to be read in conjunction with the published CGT specification manual and are to be considered for general reference only.</p>			